

PRODUCT INFORMATION PACKET

Model No: 048A11O2064
Catalog No: X442
1/3,1075,OPEN,48Y,1/60/208-230
Condenser Fans



Regal and Marathon are trademarks of Regal Beloit Corporation or one of its affiliated companies.

©2018 Regal Beloit Corporation, All Rights Reserved. MC017097E



Nameplate Specifications

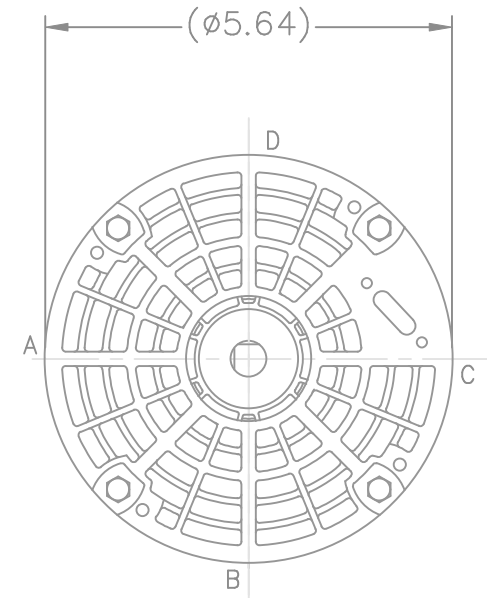
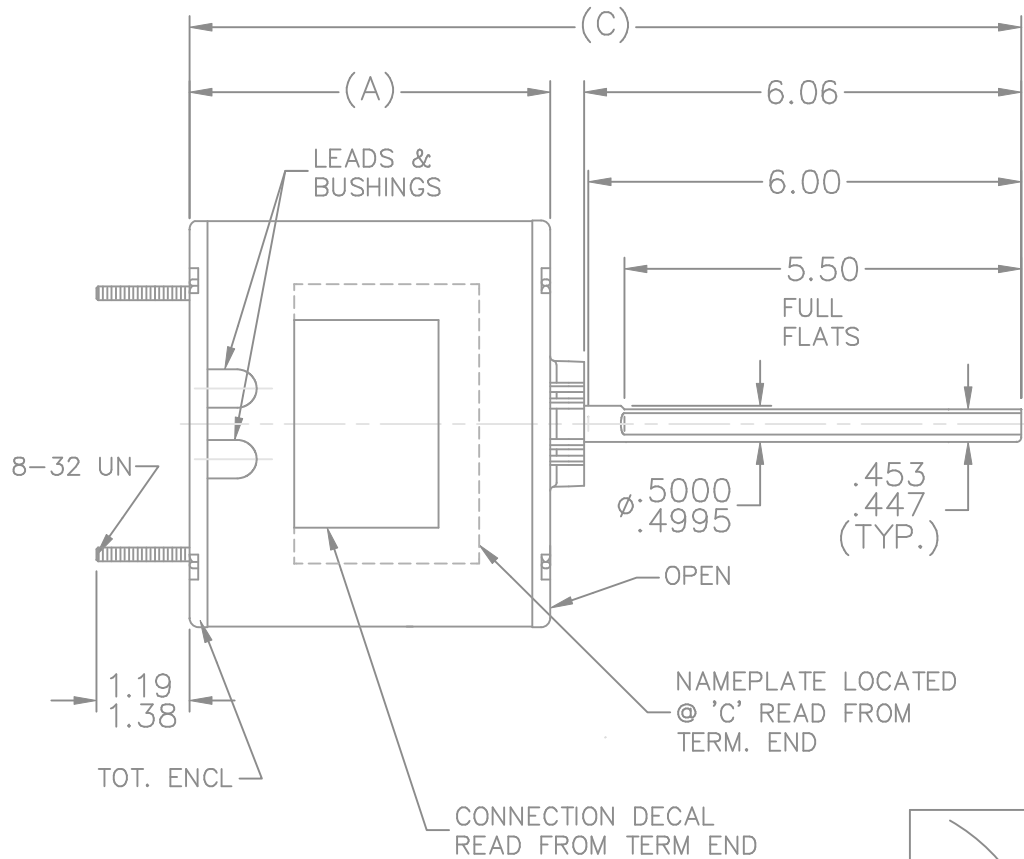
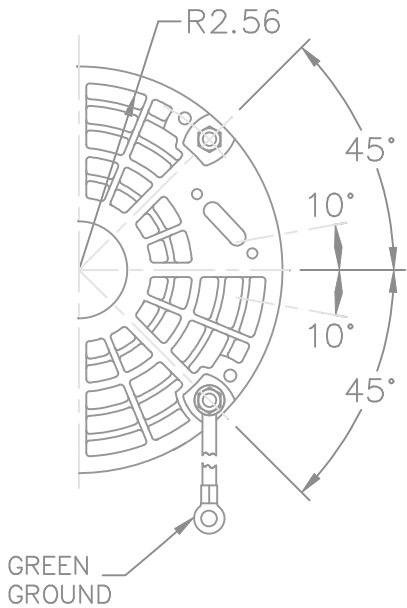
Output HP	0.33 Hp	Output KW	0.25 kW
Frequency	60 Hz	Voltage	208-230 V
Current	2.0-2.0 A	Speed	1075 rpm
Service Factor	1	Phase	1
Efficiency	66 %	Duty	Continuous
Insulation Class	B	Design Code	NO DESIGN CODE
KVA Code	D	Frame	48Z
Enclosure	Open Air Over	Overload Protector	Automatic Lock Rotor Only
Ambient Temperature	40 °C	Drive End Bearing Size	6203
Opp Drive End Bearing Size	6203	UL	Recognized
CSA	Y	CE	N
IP Code	10		

Technical Specifications

Electrical Type	Permanent Split Capacitor	Starting Method	Across The Line
Poles	6	Rotation	Selective Counterclockwise
Mounting	Round - Extended Studs	Motor Orientation	Horizontal
Drive End Bearing	Ball	Opp Drive End Bearing	Ball
Frame Material	Rolled Steel	Shaft Type	Single Special Extension
Overall Length	11.25 in	Frame Length	4.25 in
Shaft Diameter	0.500 in	Shaft Extension	6.06 in
Assembly/Box Mounting	F1 Only		
Outline Drawing	A-SS403774-425	Connection Diagram	6906496

This is an uncontrolled document once printed or downloaded and is subject to change without notice. Date Created: 10/08/2018

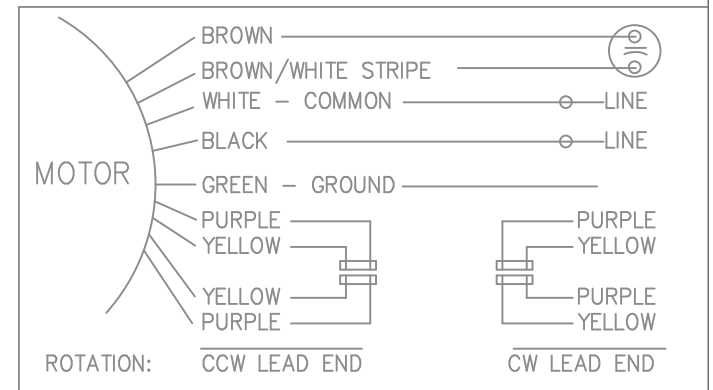
TERM. END



DASH	FRAME	C	A
350	48Y	10.50	4.00
375	48Y	10.75	4.25
425	48Y	11.25	4.75
450	48Y	11.50	5.00
462	48Y	11.62	5.12
475	48Y	11.75	5.25
500	48Y	12.00	5.50

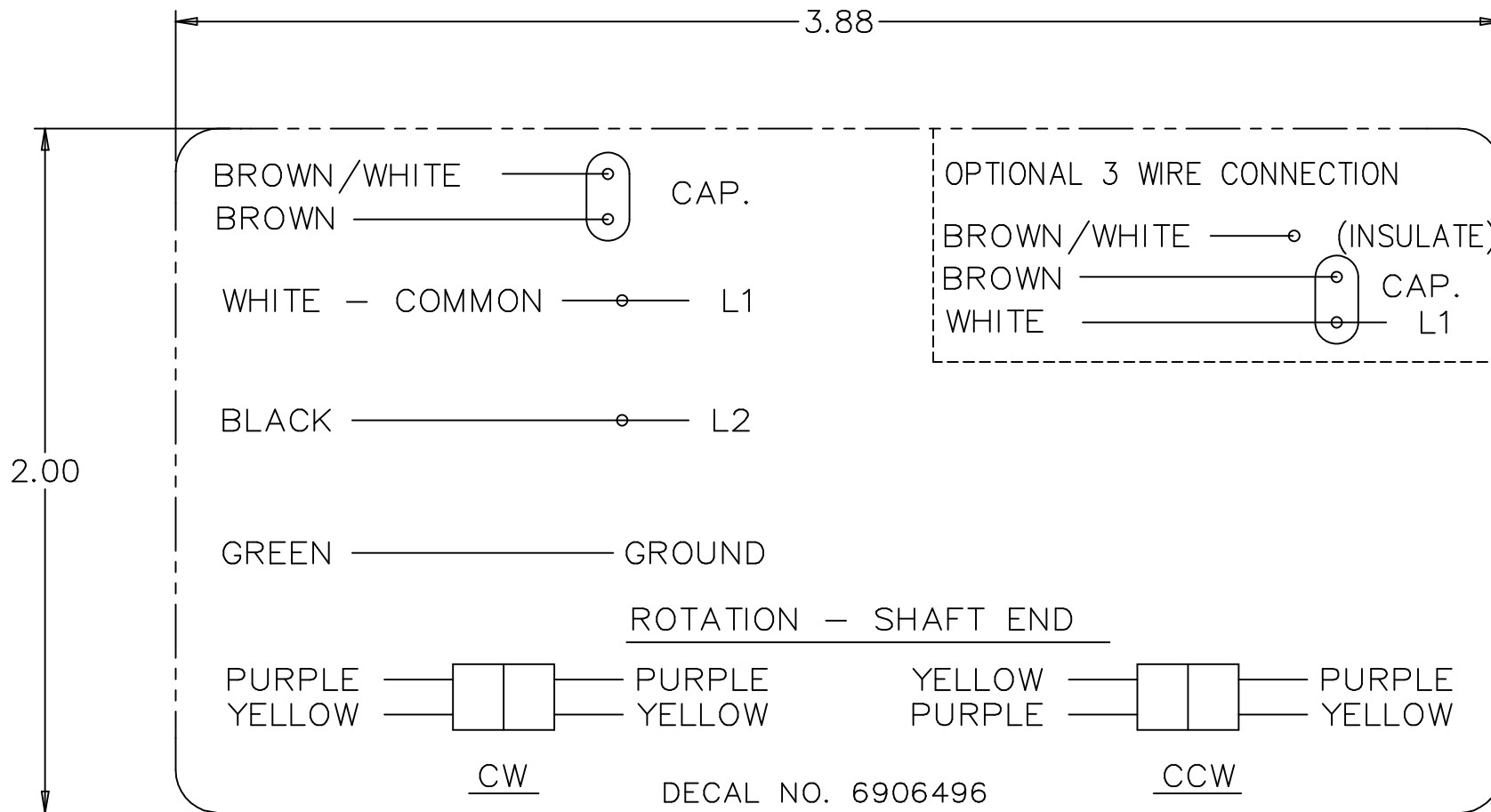
LEAD DESCRIPTION:

- 1 BLACK AND 1 WHITE LEAD WITH .50 BARE WIRE STRIP 30.00" LONG.
- 2 BROWN CAPACITOR LEADS WITH .25" FLAG QUICK CONNECTS 30.00" LONG. BROWN WITH WHITE MARK IS COMMON TO WHITE.
- REVERSING LEADS ARE MOLDED INTO MATING PULL APART PLUGS. 1 PURPLE AND 1 YELLOW PER PLUG 5.00" LONG.
- GREEN LEAD WITH TERM. FOR #10 SCREW 12.00" LONG.



				TOLERANCES UNLESS SPECIFIED			DRAWN RP 09-18-2008				
				DEC.	INCHES		CHK SP 09-18-2008				
				.X	±.1		APPD NB 09-18-2008				
				.XX	±.03		SCALE 3=8				
				.XXX	±.005		REF				
				.XXXX	±.0005		FMF 08-0421				
NO.	REVISION	BY & DATE	CHK	ANG	±7'30"	MAT'L.	PREV				
			RFP			CAD FILE SS403774	SIZE A	DRAWING NO. SS403774	PAGE	OF	REV.
			DIST	WP							

THIS DRAWING IN DESIGN AND DETAIL IS OUR PROPERTY AND MUST NOT BE USED EXCEPT IN CONNECTION WITH OUR WORK ALL RIGHTS OF DESIGN AND INVENTION ARE RESERVED THIS IS AN ELECTRONICALLY GENERATED DOCUMENT - DO NOT SCALE THIS PRINT
10/1/2008 10:23:44 AM



DECAL NO. 6906496

NO.	REVISION	BY & DATE	CHK	TOLERANCES UNLESS SPECIFIED		FINISH	DRAWING NO.	PAGE	OF	REV.			
				DEC.	INCHES								
4	ADDED DIM. TO DECAL	RDH 09/22/2003	ML	.X	±.1								
3	REMOVED 'MARATHON ELECTRIC' CN 35106	DRS 05-01-2002	TOM	.XX	±.02								
2	PART NAME WAS CONNECTION DIAGRAM CN 25669	MRB 04-23-1998		.XXX	±.005								
1	NEW DRAWING CN 25669	MRB 04-22-1998		.XXXX	±.0005								
				ANG	±7'30"								
THIS DRAWING IN DESIGN AND DETAIL IS OUR PROPERTY AND MUST NOT BE USED EXCEPT IN CONNECTION WITH OUR WORK ALL RIGHTS OF DESIGN AND INVENTION ARE RESERVED THIS IS AN ELECTRONICALLY GENERATED DOCUMENT - DO NOT SCALE THIS PRINT						RFP	CAD FILE 6906496		SIZE	DRAWING NO.	PAGE	OF	REV.
						DIST WP			A	6906496			4



DRAWN MRB 04-16-1998
 CHK ML 04-22-1998
 APPD GK 04-22-1998

TITLE CONNECTION DECAL
 SCALE 1=1
 REF
 FMF
 PREV

** Subject to change without notice.